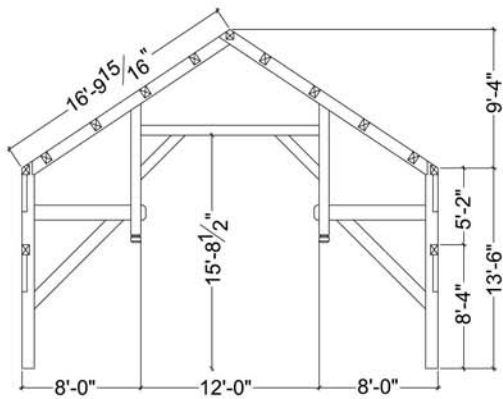
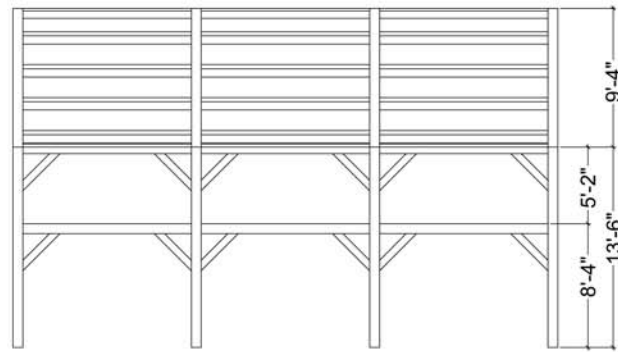


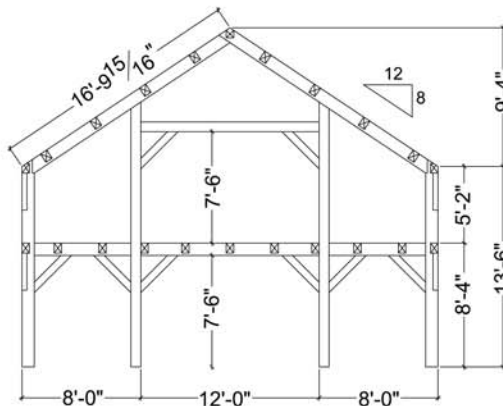
28 STANDARD FRAME



HAMMER BEAM



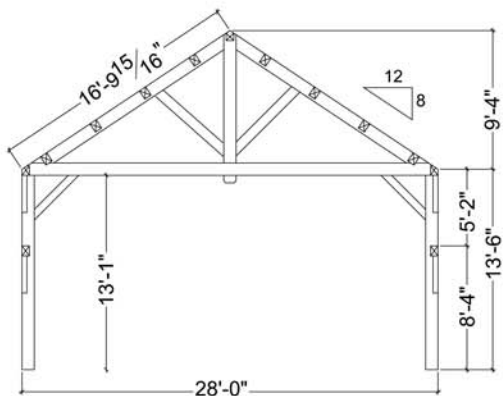
SIDE ELEVATION



QUEEN POST



LOFT PLAN



KING POST

These simple framing options offer the dramatic affects of a timber frame home while keeping budgets in line. Other options include shed additions on either side of the frame; more or less of the loft area; raising the height of the first floor ceiling; curved braces; and planed or sanded finish. Prices quoted below do not include shipping, erection, or engineering for frame. Prices quoted below are based on green, rough sawn, Eastern White Pine timbers.

Standard Frame Prices:

- 28' x 28' two bay frame with loft (1176 sf)...\$18,400
- 28' x 36' three bay frame with loft (1680 sf)..\$24,000
- 28' x 42' three bay frame with loft (1960 sf)..\$25,000
- 28' x 48' four bay frame with loft (2352 sf)...\$33,000

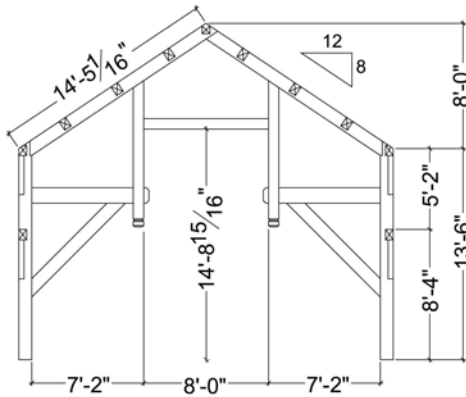
COWEE MOUNTAIN TIMBER FRAMERS

WEST
PO BOX 392
ELK CITY, ID 83525
TEL: 208.842.2604
FAX: 208.842.2749

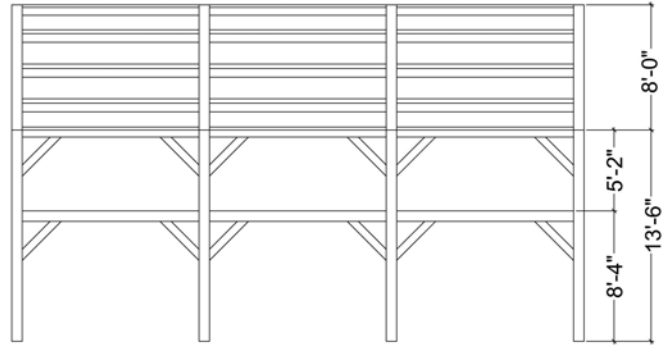
www.timberframesales.com
sales@timberframesales.com

EAST
104 WYKLE RD
FRANKLIN, NC 28734
TEL: 828.369.8186
FAX: 828.369.8176

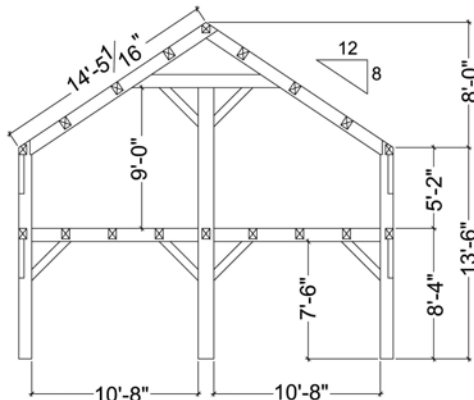
24 STANDARD FRAME



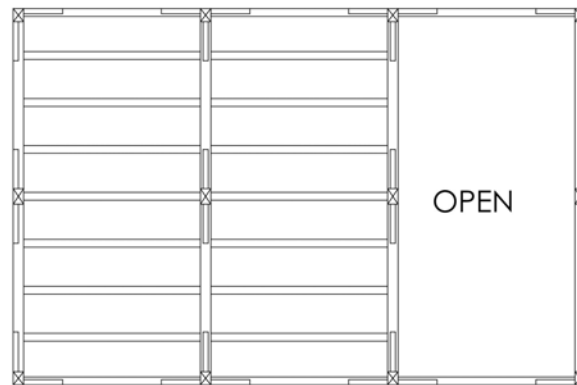
HAMMER BEAM



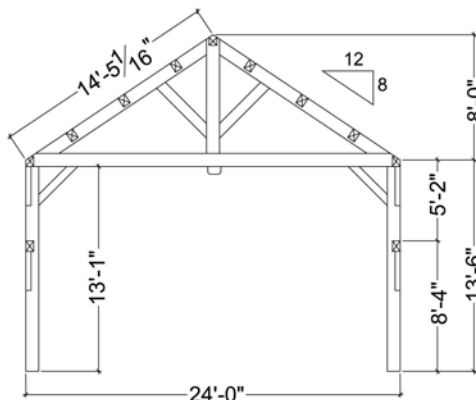
SIDE ELEVATION



QUEEN POST



LOFT PLAN



KING POST

These simple framing options offer the dramatic affects of a timber frame home while keeping budgets in line. Other options include shed additions on either side of the frame; more or less of the loft area; raising the height of the first floor ceiling; curved braces; and planed or sanded finish. Prices quoted below do not include shipping, erection, or engineering for frame. Prices quoted below are based on green, rough sawn, Eastern White Pine timbers.

Standard Frame Prices:

- 24' x 28' two bay frame with loft (1008 sf)...\$15,250
- 24' x 36' three bay frame with loft (1440 sf)..\$20,750
- 24' x 42' three bay frame with loft (1680 sf)..\$21,750
- 24' x 48' four bay frame with loft (2016 sf)...\$28,300

COWEE MOUNTAIN TIMBER FRAMERS

WEST
PO BOX 392
ELK CITY, ID 83525
TEL: 208.842.2604
FAX: 208.842.2749

www.timberframesales.com
sales@timberframesales.com

EAST
104 WYKLE RD
FRANKLIN, NC 28734
TEL: 828.369.8186
FAX: 828.369.8176